



Flange Nut



Connecting Nut



T-Nut

Clamp Pad

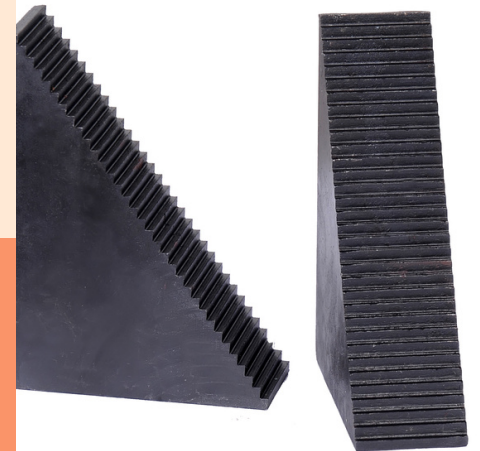


ARGUS CNC
CLAMPING ACCESSORIES
9092992995, 9944484944
www.arguscnc.com

Stud



Step Block





Step Block



COMBINED



Step Block

WE ARE MANUFACTURER OF
CLAMPING ACCESSORIES, TOUCH
PROBE AND LOW PROFILE CLAMPS
FOR VMC ,HMC ,SOFT JAWS FOR
TURNING,VTL,

CLAMP PAD



COMBINED



CLAMP PAD





SOFT JAWS



SOFT JAWS

ARGUS CNC CLAMPING ACCESSORIES

9092992995, 9944484944

www.arguscnc.com





ELECTRONIC

TOUCH PROBE



ELECTRONIC

TOUCH PROBE

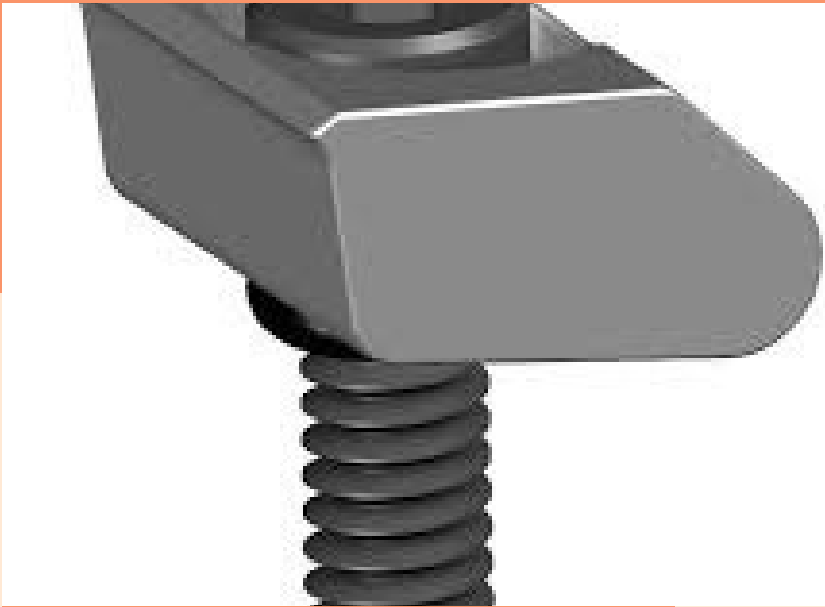
ARGUS CNC

CLAMPING ACCESSORIES

9092992995, 9944484944

www.arguscnc.com





LOW PROFILE CLAMP



LOW PROFILE CLAMP

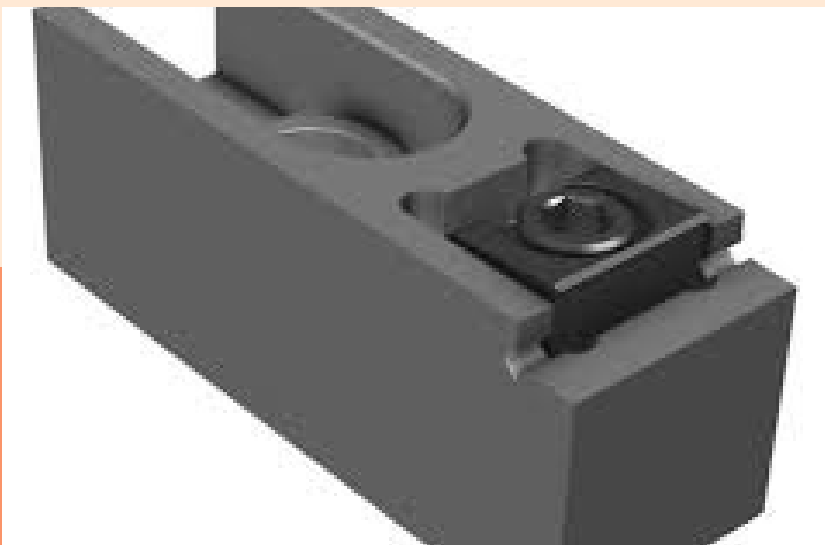
ARGUS CNC CLAMPING ACCESSORIES

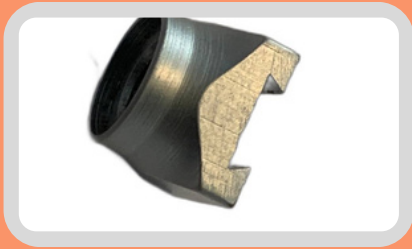
MODULAR LOW PROFILE CLAMP

9092992995, 9944484944

MODULAR LOW PROFILE CLAMP

www.arguscnc.com





M10

T-NUT
FLANGE NUT (OR) HEX NUT
STUD LENGTH 75
STUD LENGTH 100
STUD LENGTH 125
STUD LENGTH 150
STUD LENGTH 200
CLAMP PAD-BIG



M12

T-NUT
FLANGE NUT (OR) HEX NUT
STUD LENGTH 50
STUD LENGTH 75
STUD LENGTH 100
STUD LENGTH 125
STUD LENGTH 150
STUD LENGTH 175
STUD LENGTH 200
CLAMP PAD-BIG
CLAMP PAD -MEDIUM
CLAMPPAD -SMALL
SERRATED CLAMPPAD-BIG
SERRATED CLAMPPAD MEDIUM
C-WASHER -10MM
WASHER -5MM
WASHER -10 MM
STEP BLOCK BIG
STEPBLOCK SMALL



LEVER DIAL

HOLDING CLAMP & PIN
NEEDLE
ELECTRONIC EDGE FINDER

M14

T-NUT
FLANGE NUT (OR) HEX NUT
STUD LENGTH 75
STUD LENGTH 100
STUD LENGTH 125
STUD LENGTH 150
STUD LENGTH 175
STUD LENGTH 200
STUD LENGTH 225
STUD LENGTH 250
STUD LENGTH 275
STUD LENGTH 300
CLAMP PAD-BIG
CLAMP PAD -MEDIUM
CLAMPPAD -SMALL
SERRATED CLAMPPAD-BIG
SERRATED CLAMPPAD MEDIUM
C-WASHER -10MM
WASHER -5MM
WASHER -10 MM
STEP BLOCK BIG
STEPBLOCK SMALL

M8

T-NUT
FLANGE NUT (OR) HEX NUT
STUD LENGTH 80
STUD LENGTH 100
STUD LENGTH 125
STUD LENGTH 150
STUD LENGTH 200

M16



T-NUT
RUGGEDFLANGE NUT

FLANGE NUT
STUD LENGTH 75
STUD LENGTH 100
STUD LENGTH 125
STUD LENGTH 150
STUD LENGTH 175



STUD LENGTH 200
STUD LENGTH 225
STUD LENGTH 250
STUD LENGTH 275
STUD LENGTH 300



CLAMP PAD-BIG
CLAMP PAD -MEDIUM
SERRATED CLAMPPAD-BIG
SERRATED CLAMPPAD MEDIUM
C-WASHER -10MM
WASHER -5MM
WASHER -10 MM
STEP BLOCK BIG
STEPBLOCK SMALL

SOFT JAWS



DIA 135 CHUCK
DIA 165 CHUCK
DIA 200 CHUCK
DIA 250 CHUCK
DIA 315 CHUCK
DIA 400 CHUCK
DIA 500 CHUCK

M20

T-NUT
FLANGE NUT (OR) HEX NUT
STUD LENGTH 75
STUD LENGTH 100
STUD LENGTH 125
STUD LENGTH 150
STUD LENGTH 175
STUD LENGTH 200
STUD LENGTH 250
STUD LENGTH 300
CLAMP PAD-BIG
CLAMP PAD -MEDIUM
CLAMPPAD -SMALL
SERRATED CLAMPPAD-BIG
SERRATED CLAMPPAD MEDIUM
C-WASHER -10MM
WASHER -5MM
WASHER -10 MM
STEP BLOCK BIG
STEPBLOCK SMALL

M24

T-NUT
FLANGE NUT (OR) HEX NUT
STUD LENGTH 75
STUD LENGTH 100
STUD LENGTH 125
STUD LENGTH 150
STUD LENGTH 200
STUD LENGTH 250
STUD LENGTH 300



TO KNOW ABOUT
UPCOMING PRODUCTS
PLEASE VIST OUR
WEBSITE

FOR ONLINE ORDER

WWW.ARGUSCNC.COM

FOR DIRECT ORDER

9092992995

9944484944

9361774691

Buy now at arguscnc.com



TO GET MORE
DETAILS VISIT
OUR WEBSITE